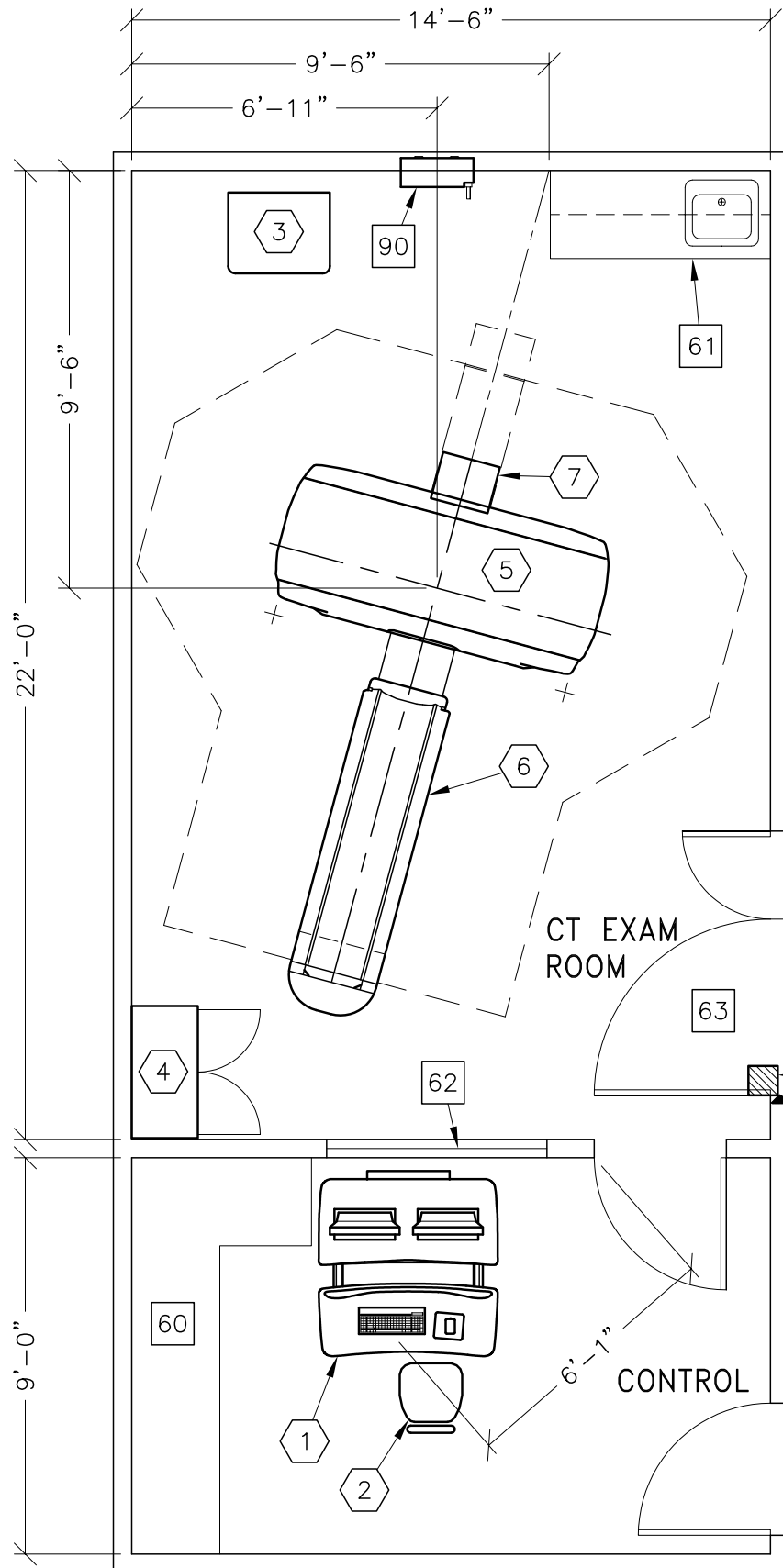




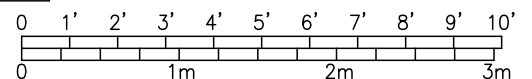
CT LightSpeed VCT with 1700 Table



**SCAN ROOM
CEILING HEIGHT
9'-0" [2743mm]**

NOTE: THIS IS A SUGGESTED LAYOUT BASED OFF OF GE HEALTHCARE PRE-INSTALL MANUAL. PLEASE CONTACT LOCAL PROJECT MANAGER OF INSTALLATION IF YOUR ROOM LAYOUT OR DIMENSIONS ARE DIFFERENT THAN THE LAYOUT SHOWN.

ROOM DIMENSIONS	LENGTH & WIDTH	CEILING HEIGHT
TYPICAL:	20'-0" x 13'-6" [6.0M x 4.1M]	9'-0" [2.74M]



SEE APPENDIX "A" FOR POWER SPECIFICATIONS

ROOM PLAN LOCATED ON PAGE 6-54

ITEM	QUANTITY	ITEM DESCRIPTION	WEIGHT	HEAT OUTPUT
①	1	OPERATOR'S CONSOLE / COMPUTER	493 lbs	6000 btu
②	1	OPERATOR'S CHAIR		
③	1	POWER DISTRIBUTION UNIT	701 lbs	
④	1	STORAGE CABINET <EMPTY CABINET WEIGHT>	99 lbs	
⑤	1	CT LightSpeed VCT <BTU'S INCLUDE GANTRY, TABLE, & PDU>	4049 lbs	35000 btu
⑥	1	GT1700 PATIENT TABLE WITH EXTENDED TABLE TOP.	881 lbs	
⑦	1	REAR CABLE COVER		
***** CUSTOMER/CONTRACTOR SUPPLIED AND INSTALLED ITEMS *****				
60		COUNTER TOP FOR EQUIPMENT- PROVIDE GROMMETED OPENINGS AS REQUIRED TO ROUTE INTERCONNECT CABLES TO RACEWAY BELOW COUNTERTOP.		
61		COUNTER TOP WITH SINK, BASE AND WALL CABINETS		
62		LEAD GLASS WINDOW		
63		MINIMUM DOOR OPENING FOR EQUIPMENT DELIVERY IS 44 IN. W x 83 IN. H [1118mm x 2108mm], CONTINGENT ON A 96 IN. [2438mm] CORRIDOR		
64		DOOR LIMIT SWITCH <REQUIRED IN SOUTH CAROLINA, OTHERWISE NEEDED ONLY IF REQUIRED BY STATE/LOCAL CODES>		
65		X-RAY ON WARNING LIGHT - AVAILABLE FROM GE SUPPLY CALL: 800-200-9760 GE CAT. NO. WXIABWW-0F-XIU		
90		MAIN DISCONNECT CONTROL		
91		X-RAY ROOM WARNING LIGHT CONTROL PANEL REFERENCE JUNCTION POINT 'WLC' ON SHEET 'E1' FOR DETAILED DESCRIPTION -E4502RL FOR WARNING LIGHT CONTROL ONLY.		

ENVIRONMENT

Ambient Operation Temperature: 64-79° (F)
 Allowable Temperature Change: 5° F [3° C] per hour
 Humidity: 30-60 percent non condensing
 Allowable Humidity Change: 5 percent per hour
 Max - Altitude: 7875 ft. above sea level