

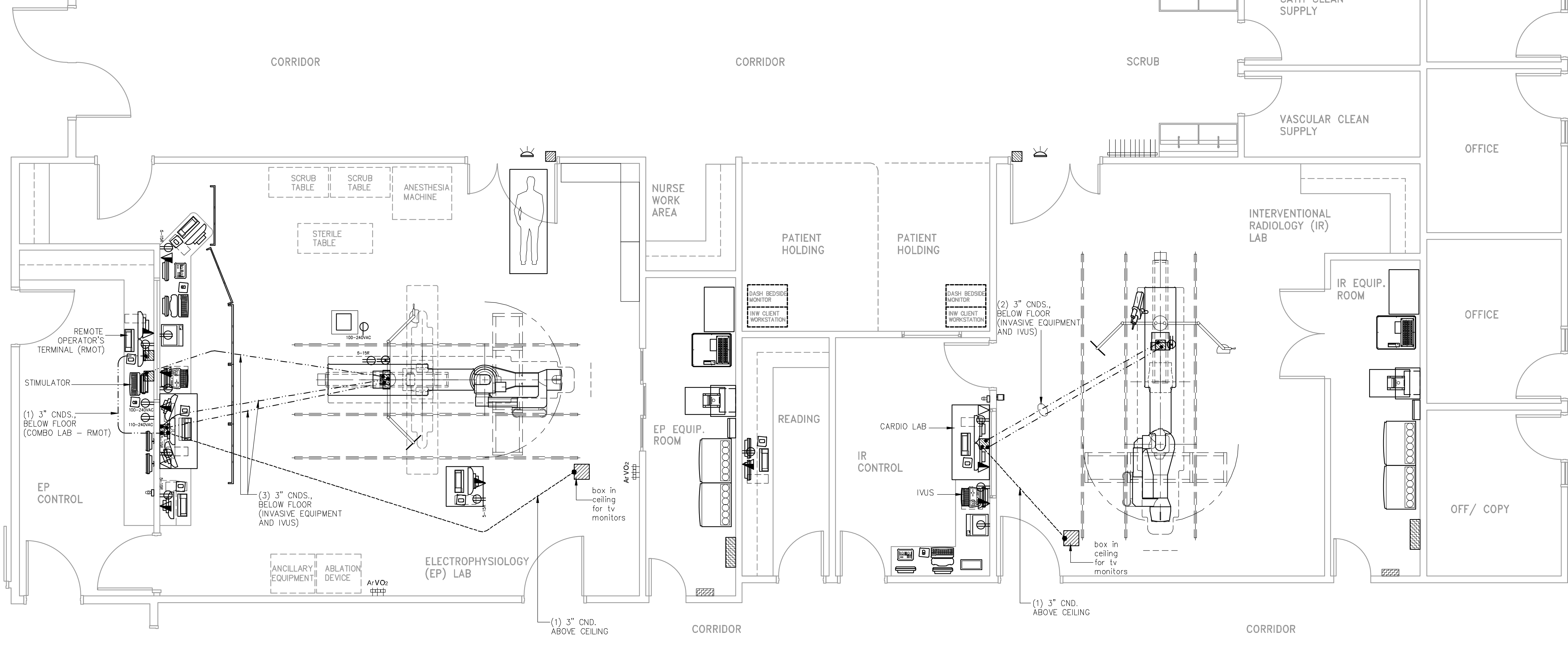
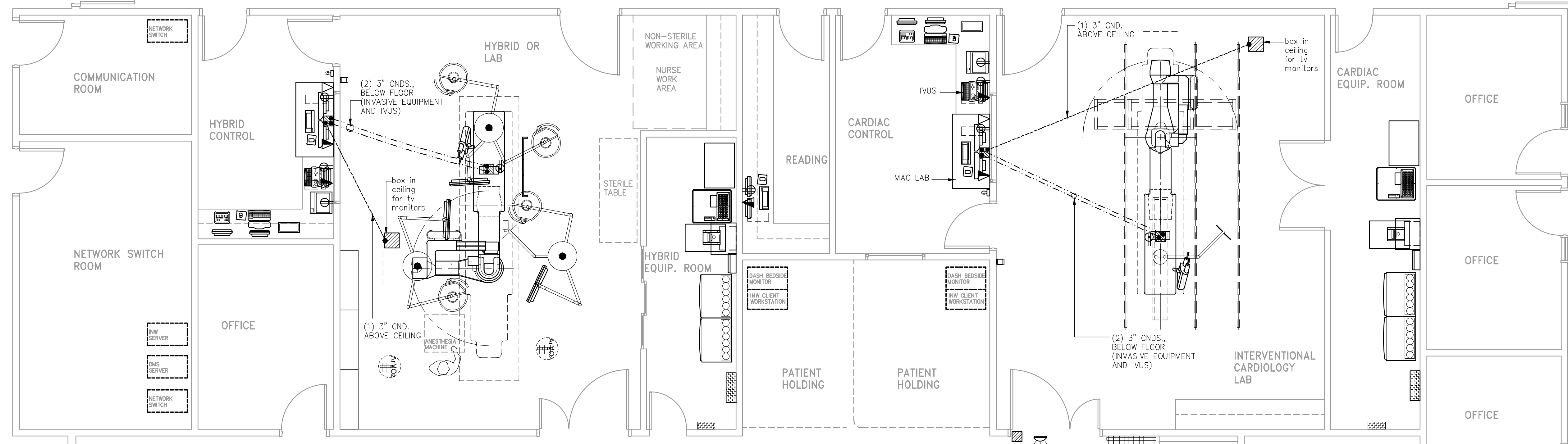
SCALE: 1/4" = 1'-0"

**ELECTRICAL OUTLET LEGEND**  
 CUSTOMER/CONTRACTOR SUPPLIED AND INSTALLED ITEMS.  
 HEIGHT ABOVE FLOOR DETERMINED BY LOCAL CODES UNLESS OTHERWISE SPECIFIED.

	DUPLEX HOSPITAL GRADE, DEDICATED WALL OUTLET 120-V, SINGLE PHASE POWER
	DEDICATED TELEPHONE LINE(S) (SEE ELECTRICAL DETAIL ELEC-1 OR ELEC-67)
	NETWORK OUTLET (SEE ELECTRICAL DETAILS ELEC-83 AND ELEC-84 OR ELEC-67)
	5-15R NEMA RECEPTACLE, DEDICATED OUTLET 120-V, SINGLE PHASE POWER
	DUPLEX HOSPITAL GRADE, DEDICATED OUTLET 120-V EMERGENCY, SINGLE PHASE POWER, 15A
	110-240VAC 50-60HZ, 90VA max. (40VA standby), Class 1 OUTLET
	100-240VAC to 12V DC 5.0A PSU (via isolation transformer)
	100-240VAC to 15V DC 1.2A PSU

**CONDUIT LEGEND**

	ABOVE CEILING CONDUIT
	BELOW FLOOR CONDUIT



**CONDUIT RUNS: PHYSIO MONITORING/ IVUS**

CONDUITS REQUIRED FOR GENERIC PHYSIO  
 REV DATE: 10/01/08

PC/IVUS	TO	WEM1	ONE 3" CND. (LOCATED ABOVE CEILING)
PC	TO	TRAM	ONE 3" CND. (LOCATED IN/BELOW FLOOR)
IVUS	TO	TRAM	ONE 3" CND. (LOCATED IN/BELOW FLOOR)

**CONDUIT RUNS: PHYSIO MONITORING/ IVUS**

CONDUITS REQUIRED FOR MAC LAB  
 REV DATE: 10/01/08

PC/IVUS	TO	WEM1	ONE 3" CND. (LOCATED ABOVE CEILING)
PC	TO	TRAM	ONE 3" CND. (LOCATED IN/BELOW FLOOR)
IVUS	TO	TRAM	ONE 3" CND. (LOCATED IN/BELOW FLOOR)

**CONDUIT RUNS: PHYSIO MONITORING/ IVUS**

CONDUITS REQUIRED FOR CARDIO LAB  
 REV DATE: 10/01/08

PC/IVUS	TO	WEM1	ONE 3" CND. (LOCATED ABOVE CEILING)
PC/IVUS	TO	AMP	ONE 3" CND. (LOCATED IN/BELOW FLOOR)
IVUS	TO	AMP	ONE 3" CND. (LOCATED IN/BELOW FLOOR)

**CONDUIT RUNS: PHYSIO MONITORING/ IVUS**

CONDUITS REQUIRED FOR COMBO LAB  
 REV DATE: 10/01/08

PC	TO	WEM1	ONE 3" CND. (LOCATED ABOVE CEILING)
TRAM/AMP	TO	PC	ONE 3" CND. (LOCATED IN/BELOW FLOOR)
TRAM/AMP	TO	IVUS	ONE 3" CND. (LOCATED IN/BELOW FLOOR)
PC	TO	RMOT	ONE 3" CND. (LOCATED IN/BELOW FLOOR)
TRAM/AMP	TO	STIM	ONE 2" CND. (LOCATED IN/BELOW FLOOR)

**GE Healthcare Technologies**  
 Installation Services Design Center  
 Milwaukee, Wisconsin  
 Copyright © 2009 General Electric Company - Proprietary to GE

SHEET TITLE: DEPARTMENT PLAN  
 MODALITY TYPE: INVASIVE PLANNING

THIS PLAN IS SUBMITTED TO SUGGEST THE LOCATION OF GE MEDICAL SYSTEMS EQUIPMENT. THE LOCATION OF THIS EQUIPMENT IS SUBJECT TO CHANGE. IN PREPARING THIS PLAN, EVERY EFFORT HAS BEEN MADE TO CONFORM DETAILS TO ACTUAL EQUIPMENT EXPECTED TO BE INSTALLED. IT IS NOT TO BE USED FOR CONSTRUCTION. THE USER ASSUMES ALL RESPONSIBILITY FOR ANY DAMAGES RESULTING THEREFROM.

PROJECT TITLE:  
**INVASIVE EQUIPMENT TYPICAL PLANNING TOOL**  
 TYPICAL DEPARTMENT PLAN

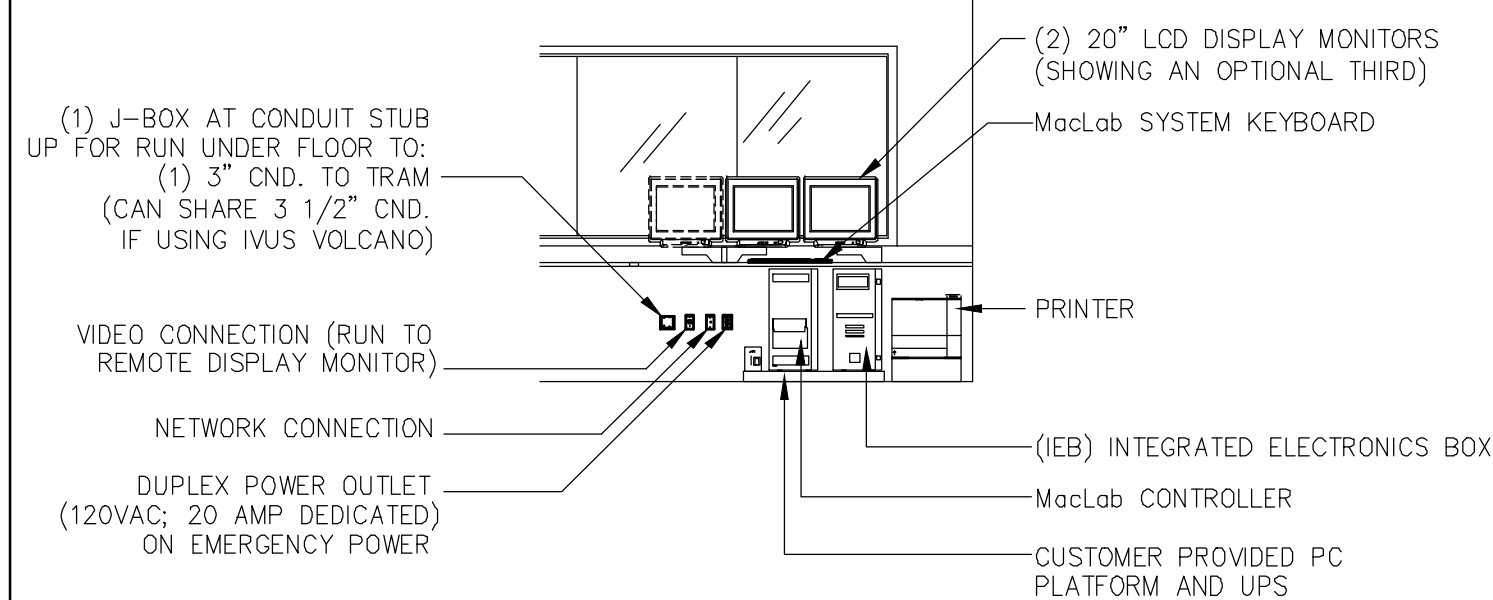
PROJECT	invasive	REVISION	01
DATE:	12-20-10	DRAWN BY:	LLM
CHECKED BY:	LLM		

REVISION HISTORY:


SCALE: 1/4" = 1'-0"

PHYSICAL SPECIFICATIONS

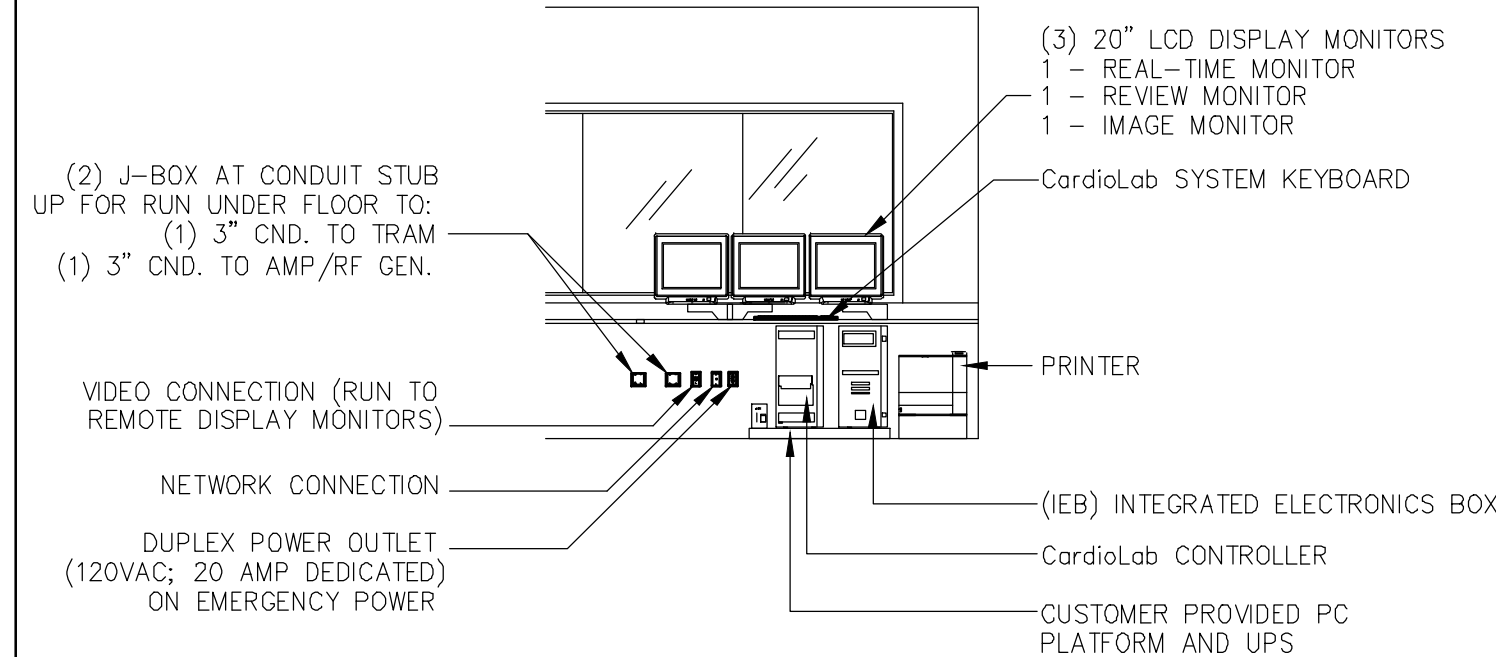
Equipment	Width (in/cm)	Depth (in/cm)	Height (in/cm)	Weight (lbs/kg)	Heat (btu/hr)
Workstation Desk - 47"	47"/119	30"/76	29.5"/74.9	265lb/120	-
Workstation Desk - 65"	65"/165	30"/76	29.5"/74.9	340lb/154	-
Mobile Workstand	32"/81.2	22"/56	62"/157.5	80lb/36.3	-
Isolation Transformer	10.5"/26.7	6.5"/16.5	3.5"/8.9	13lb/6	?
Accessory Cart - 27"	27"/61	28"/71	30"/75	300lb/136	-
Computer	6.5"/16.5	17.5"/44.5	17.3"/44	37lb/17	2705 btu
IEB	11"/28	21"/53	24.5"/62	75lb/34	?
NEC 20" LCD Monitor	17.7"/45	9"/22.8	17.2"/43.8	22lb/10	245 btu
KEYBOARD	19.25"	8.25"	2.25"	6lb	-
HP Laser Jet Printer	16"/40.5	17.9"/45.5	12.7"/32.3	50lb/24.1	1518 btu
TRAM-RAC	5.7"/14.5	15.1"/38.4	9"/22.9	7.9lb/3.5	?
CardioLab II Plus Amplifier (52/64 Channels)	14"/36	14"/36	9.5"/24	22lb/10	205 btu
CardioLab II Plus Amplifier (64/76 Channels)	14"/36	14"/36	14"/36	25lb/11	205 btu



MacLab CONTROL ROOM

PHYSICAL SPECIFICATIONS

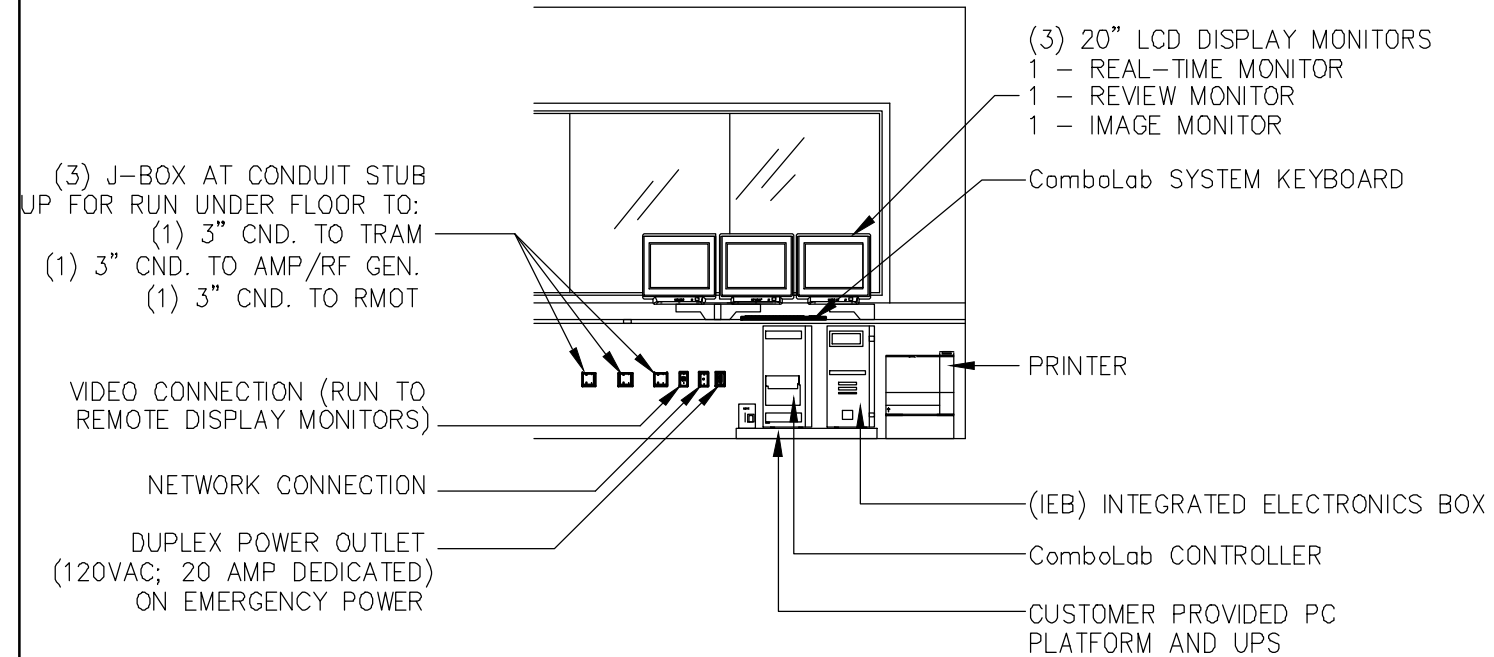
Equipment	Width (in/cm)	Depth (in/cm)	Height (in/cm)	Weight (lbs/kg)	Heat (btu/hr)
Workstation Desk - 47"	47"/119	30"/76	29.5"/74.9	265lb/120	-
Workstation Desk - 65"	65"/165	30"/76	29.5"/74.9	340lb/154	-
Mobile Workstand	32"/81.2	22"/56	62"/157.5	80lb/36.3	-
Isolation Transformer	10.5"/26.7	6.5"/16.5	3.5"/8.9	13lb/6	?
Accessory Cart - 27"	27"/61	28"/71	30"/75	300lb/136	-
Computer	6.5"/16.5	17.5"/44.5	17.3"/44	37lb/17	2705 btu
IEB	11"/28	21"/53	24.5"/62	75lb/34	?
NEC 20" LCD Monitor	17.7"/45	9"/22.8	17.2"/43.8	22lb/10	245 btu
KEYBOARD	19.25"	8.25"	2.25"	6lb	-
HP Laser Jet Printer	16"/40.5	17.9"/45.5	12.7"/32.3	50lb/24.1	1518 btu
TRAM-RAC	5.7"/14.5	15.1"/38.4	9"/22.9	7.9lb/3.5	?
CardioLab II Plus Amplifier (52/64 Channels)	14"/36	14"/36	9.5"/24	22lb/10	205 btu
CardioLab II Plus Amplifier (64/76 Channels)	14"/36	14"/36	14"/36	25lb/11	205 btu



CardioLab CONTROL ROOM

PHYSICAL SPECIFICATIONS

Equipment	Width (in/cm)	Depth (in/cm)	Height (in/cm)	Weight (lbs/kg)	Heat (btu/hr)
Workstation Desk - 47"	47"/119	30"/76	29.5"/74.9	265lb/120	-
Workstation Desk - 65"	65"/165	30"/76	29.5"/74.9	340lb/154	-
Mobile Workstand	32"/81.2	22"/56	62"/157.5	80lb/36.3	-
Isolation Transformer	10.5"/26.7	6.5"/16.5	3.5"/8.9	13lb/6	?
Accessory Cart - 27"	27"/61	28"/71	30"/75	300lb/136	-
Computer	6.5"/16.5	17.5"/44.5	17.3"/44	37lb/17	2705 btu
IEB	11"/28	21"/53	24.5"/62	75lb/34	?
NEC 20" LCD Monitor	17.7"/45	9"/22.8	17.2"/43.8	22lb/10	245 btu
KEYBOARD	19.25"	8.25"	2.25"	6lb	-
HP Laser Jet Printer	16"/40.5	17.9"/45.5	12.7"/32.3	50lb/24.1	1518 btu
TRAM-RAC	5.7"/14.5	15.1"/38.4	9"/22.9	7.9lb/3.5	?
CardioLab II Plus Amplifier (52/64 Channels)	14"/36	14"/36	9.5"/24	22lb/10	205 btu
CardioLab II Plus Amplifier (64/76 Channels)	14"/36	14"/36	14"/36	25lb/11	205 btu

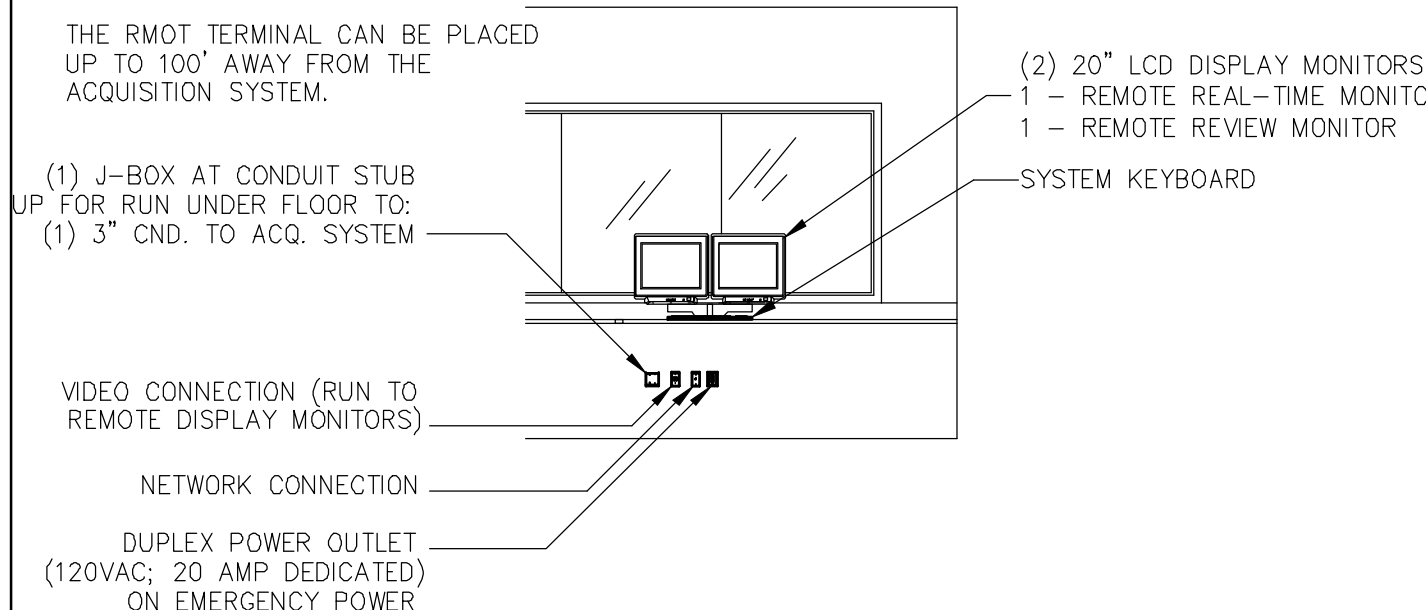


ComboLab CONTROL ROOM

PHYSICAL SPECIFICATIONS

Equipment	Width (in/cm)	Depth (in/cm)	Height (in/cm)	Weight (lbs/kg)	Heat (btu/hr)
Workstation Desk - 47"	47"/119	30"/76	29.5"/74.9	265lb/120	-
Workstation Desk - 65"	65"/165	30"/76	29.5"/74.9	340lb/154	-
Mobile Workstand	32"/81.2	22"/56	62"/157.5	80lb/36.3	-
Isolation Transformer	10.5"/26.7	6.5"/16.5	3.5"/8.9	13lb/6	?
Accessory Cart - 27"	27"/61	28"/71	30"/75	300lb/136	-
NEC 20" LCD Monitor	17.7"/45	9"/22.8	17.2"/43.8	22lb/10	245 btu
KEYBOARD	19.25"	8.25"	2.25"	6lb	-

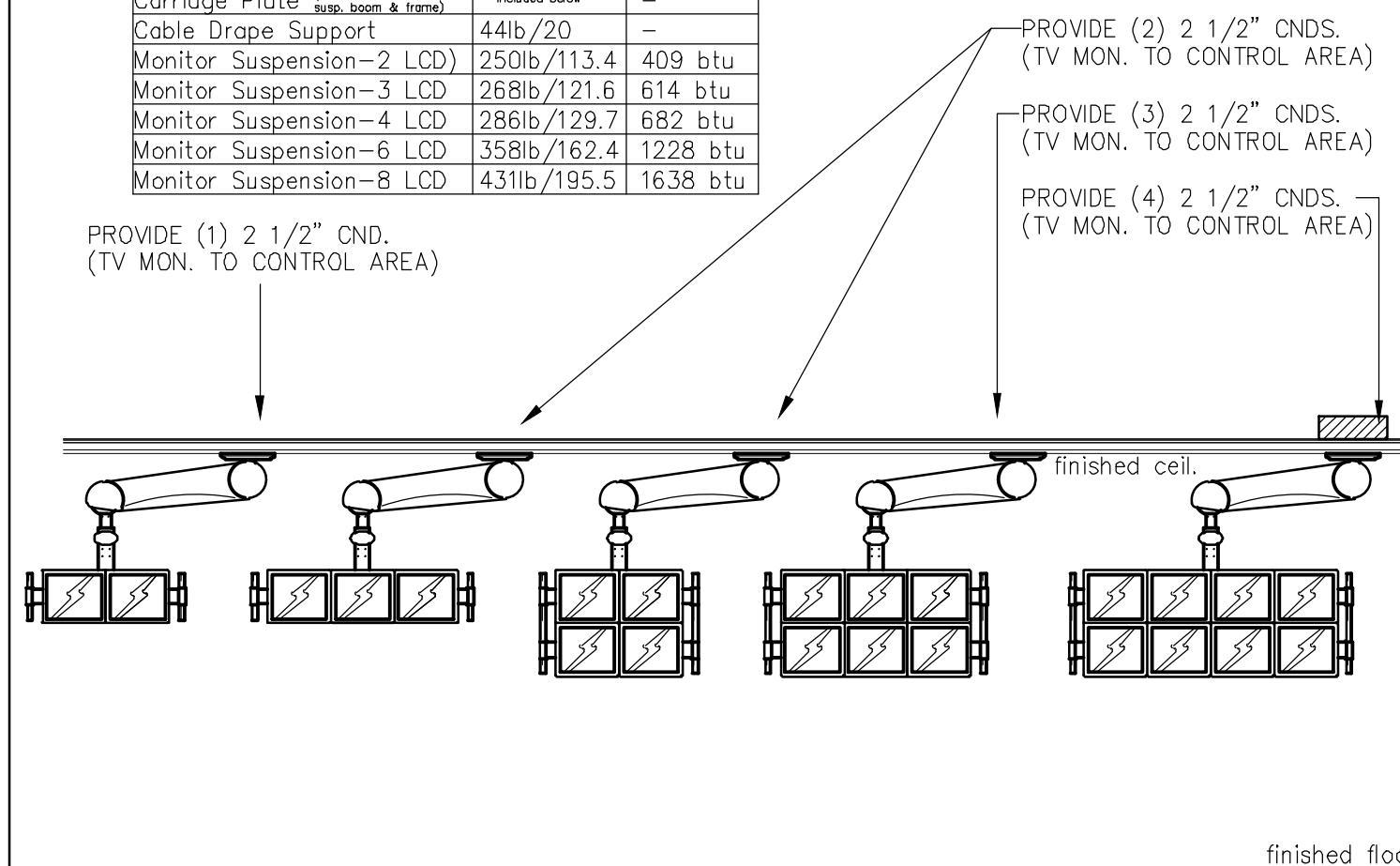
RMOT LOCATED IN EITHER PROCEDURE OR CONTROL ROOM; OPPOSITE LOCATION OF ComboLAB-IT WORKSTATION



Remote Operator's Terminal (RMOT) with ComboLab

PHYSICAL SPECIFICATIONS

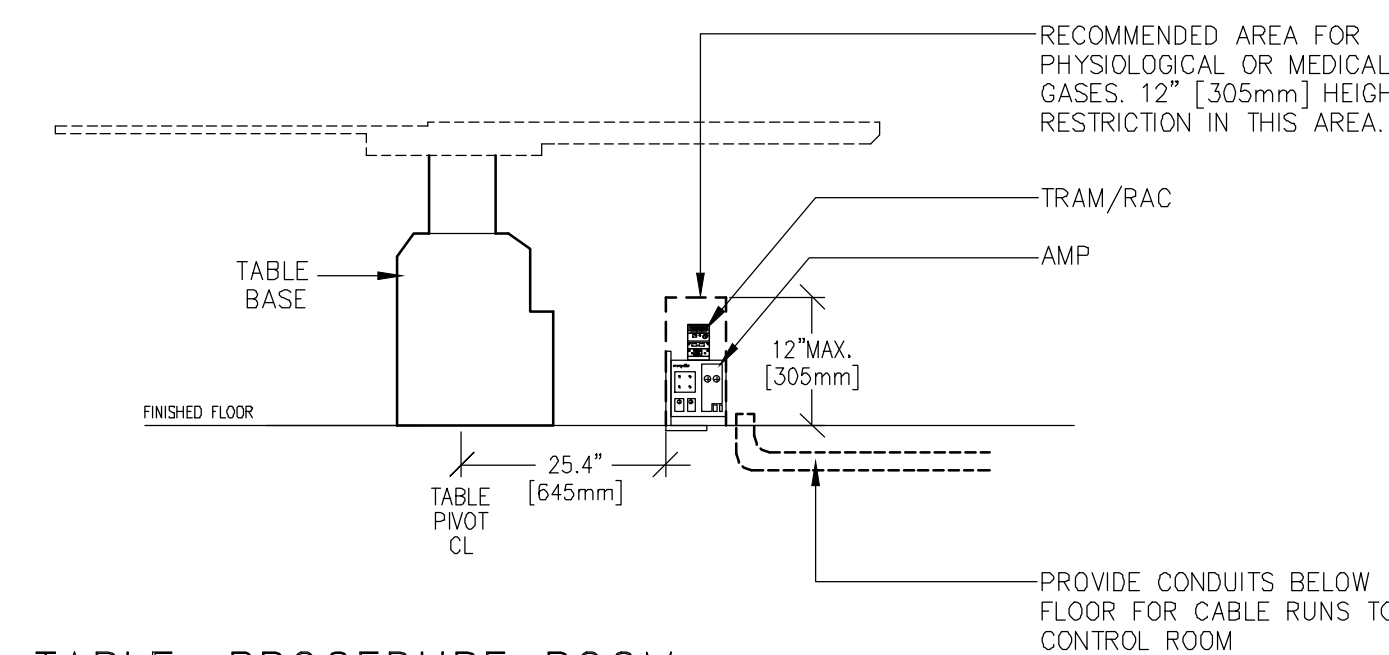
Equipment	Weight (lbs/kg)	Heat (btu/hr)
Stationary Rails	139lb/63	-
Bridge (7'-9" or 9'-6")	199lb/90	-
Carriage Plate (includes wheels, cables, and support)	44lb/20	-
Cable Drope Support	44lb/20	-
Monitor Suspension-2 LCD	250lb/113.4	409 btu
Monitor Suspension-3 LCD	268lb/121.6	614 btu
Monitor Suspension-4 LCD	286lb/129.7	682 btu
Monitor Suspension-6 LCD	358lb/162.4	1228 btu
Monitor Suspension-8 LCD	431lb/195.5	1638 btu



OVERHEAD SUSPENSION MONITORS; PROCEDURE ROOM

PHYSICAL SPECIFICATIONS

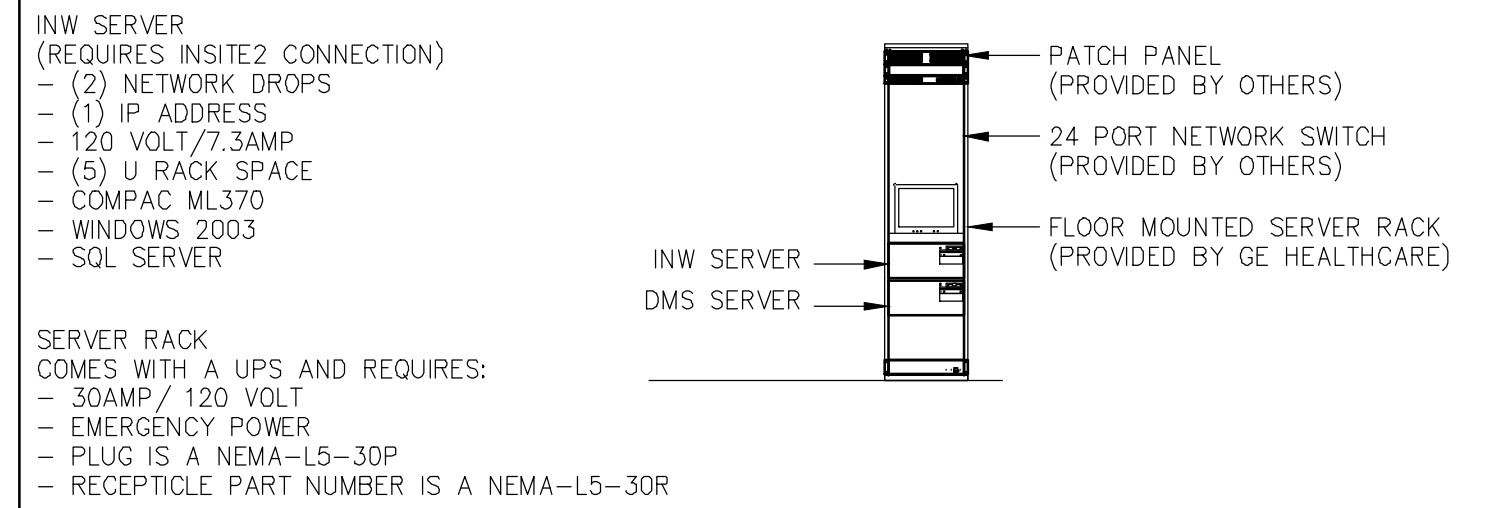
Equipment	Width (in/cm)	Depth (in/cm)	Height (in/cm)	Weight (lbs/kg)	Heat (btu/hr)
TRAM-RAC	5.7"/14.5	15.1"/38.4	9"/22.9	7.9lb/3.5	?
CardioLab II Plus Amplifier (52/64 Channels)	14"/36	14"/36	9.5"/24	22lb/10	205 btu
CardioLab II Plus Amplifier (64/76 Channels)	14"/36	14"/36	14"/36	25lb/11	205 btu



TABLE; PROCEDURE ROOM

CENTRICITY RADIOLOGY INW SERVER CONFIGURATIONS

Hardware Option	Low-End 2045708-003	High-End 2045708-001
DMS INTERFACE SERVER (REQUIRES INSITE2 CONNECTION)		
(3) NETWORK DROPS		
(2) IP ADDRESSES		
120 VOLT/6AMP		
(2) U RACK SPACE		
COMPACT DL380		
WINDOWS 2003 SERVER		
ORACLE		
VALIDATED ANTIVIRUS		
DMS SERVER (REQUIRES INSITE2 CONNECTION)		
(3) NETWORK DROPS		
(2) IP ADDRESSES		
120 VOLT/6AMP		
(2) U RACK SPACE		
WINDOWS 2003 SERVER		
ORACLE		
INW SERVER (REQUIRES INSITE2 CONNECTION)		
(2) NETWORK DROPS		
(1) IP ADDRESS		
120 VOLT/7.5AMP		
(5) U RACK SPACE		
COMPACT ML370		
WINDOWS 2003		
SQL SERVER		
SERVER RACK (COMES WITH A UPS AND REQUIRES: 30AMP / 120 VOLT - EMERGENCY POWER - PLUG IS A NEMA-L5-30P - RECEPTICLE PART NUMBER IS A NEMA-L5-30R)		



INFORMATION SYSTEMS: EQUIPMENT ROOM

PHYSICAL SPECIFICATIONS

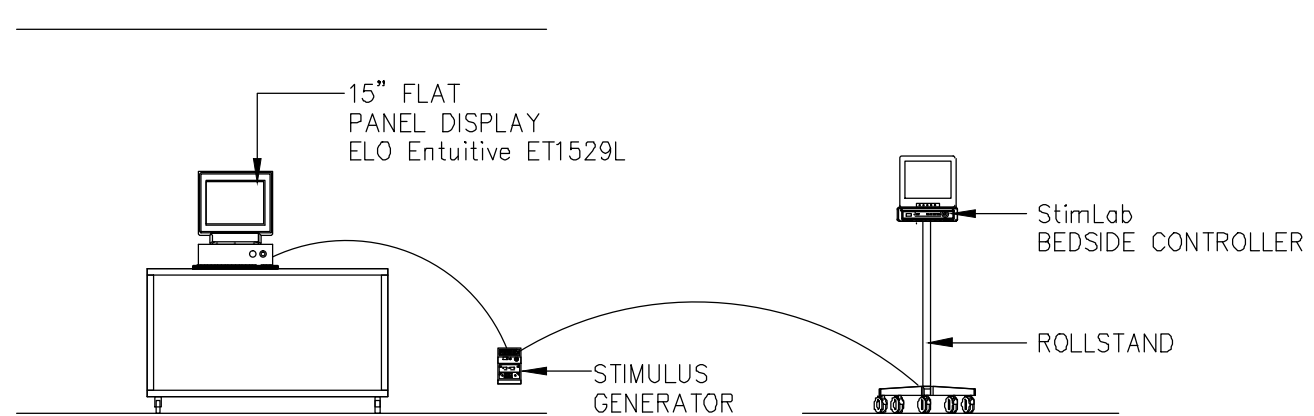
Equipment	Width (in/cm)	Depth (in/cm)	Height (in/cm)	Weight (lbs/kg)	Heat (btu/hr)
Vivid i	14.2"/35.8	12.4"/31.3	2.3"/5.9	11lb/5.4	240 btu



INTRACARDIAC ECHO (ICE); VIVID i

PHYSICAL SPECIFICATIONS

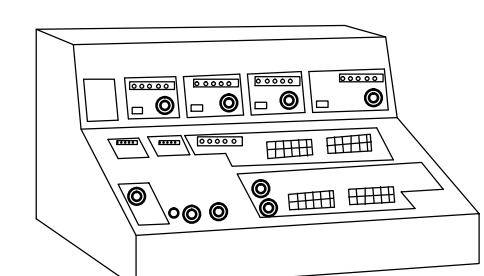
Equipment	Width (in/mm)	Depth (in/cm)	Height (in/cm)	Weight (lbs/kg)	Heat (btu/hr)
StimLab Cabinet	15.7"/400	4.8"/122	11.8"/300	16lb/7.3	-
StimLab Remote Touchscreen (Cable length: 13' (4M))	14"/354	11"/285	12"/301	16.2lb/7.4	-
Remote Touchscreen Rollstand	-	-	31-45.5"	38lb/17.3	-



MICRO PACE STIMULATOR (StimLab)

PHYSICAL SPECIFICATIONS

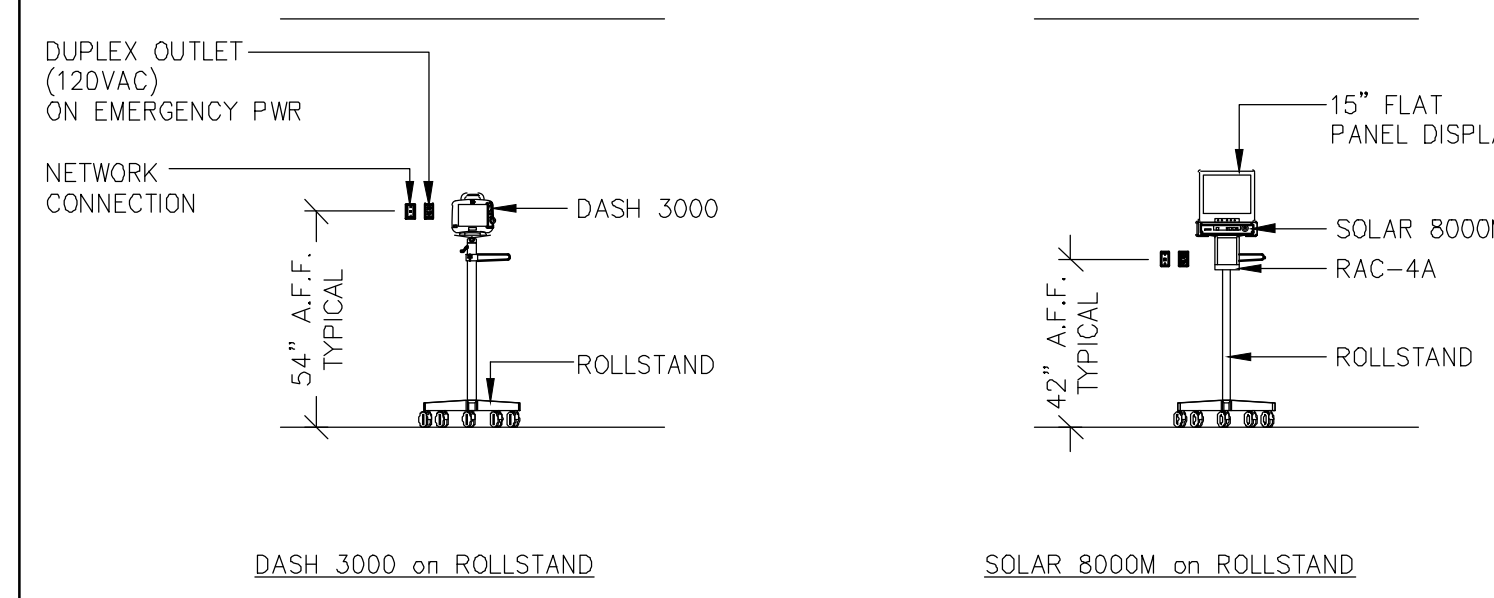
Equipment	Width (in/mm)	Depth (in/cm)	Height (in/cm)	Weight (lbs/kg)	Heat (btu/hr)
Stimulator	17"/432	21"/533	11"/279	23lb/7.4	-



BLOOM STIMULATOR (DTU-215)

PHYSICAL SPECIFICATIONS

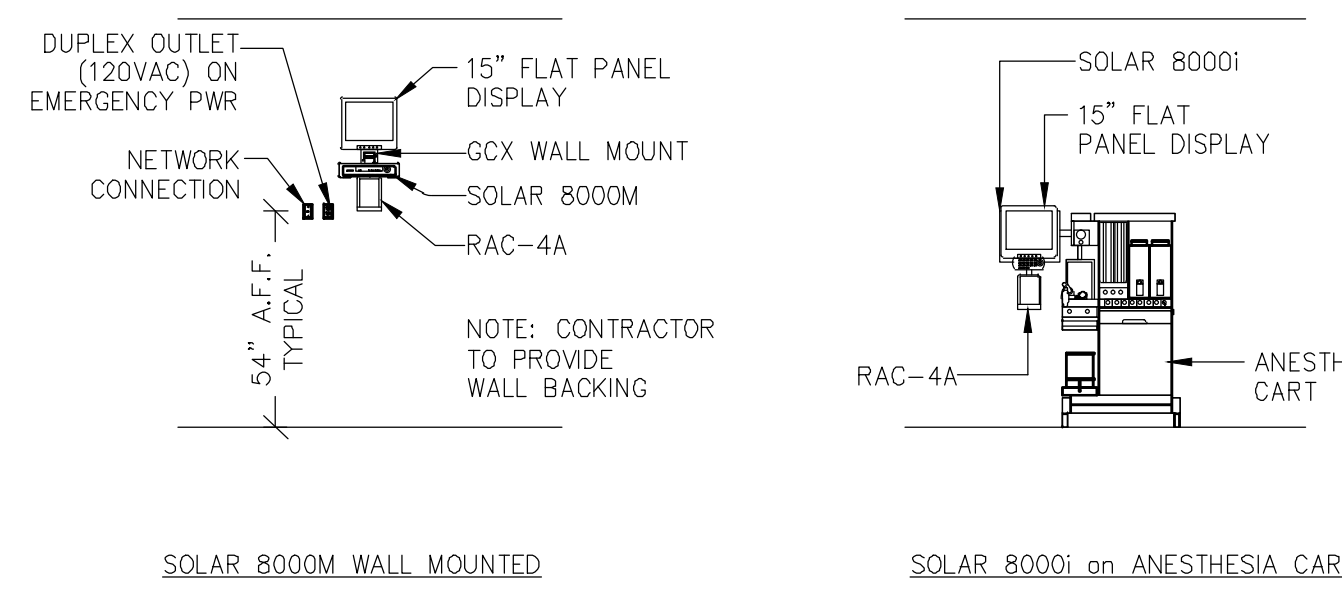
Equipment	Width (in/cm)	Depth (in/cm)	Height (in/cm)	Weight (lbs/kg)	Heat (btu/hr)
Dash 3000	13.3"/33.6	13.8"/34.9	3.2"/8.1	12lb/5.4	240 btu
Dash 4000	11.5"/29.26	9.5"/24.26	10.8"/27.38	12.2lb/5.53	240 btu
Solar 7000 (monochrome)	13.5"/33.4	15.7"/39.9	12.3"/31.1	29.4lb/13.3	409 btu
Solar 7000 (color)	13.5"/33.4	21.7"/55.2	12.3"/31.1	48lb/22	680 btu
Solar 8000	13.3"/33.6	13.8"/34.9	3.2"/8.1	12lb/5.4	100 btu
Solar 8000i	13.9"/35.4	13.2"/33.4	3.2"/8.1	12.3lb/5.6	341 btu
Solar 8000M	13.9"/35.4	13.2"/33.4	3.2"/8.1	12.3lb/5.6	100 btu
Solar 9500 (cpu unit)	13.7"/34.8	6.1"/15.5	13"/33.02	19.8lb/9	683 btu



SOLAR/ DASH PATIENT MONITOR on ROLLSTAND

PHYSICAL SPECIFICATIONS

Equipment	Width (in/cm)	Depth (in/cm)	Height (in/cm)	Weight (lbs/kg)	Heat (btu/hr)
Dash 3000	13.3"/33.6	13.8"/34.9	3.2"/8.1	12lb/5.4	240 btu
Dash 4000	11.5"/29.26	9.5"/24.26	10.8"/27.38	12.2lb/5.53	240 btu
Solar 7000 (monochrome)	13.5"/33.4	15.7"/39.9	12.3"/31.1	29.4lb/13.3	409 btu
Solar 7000 (color)	13.5"/33.4	21.7"/55.2	12.3"/31.1	48lb/22	680 btu
Solar 8000	13.3"/33.6	13.8"/34.9	3.2"/8.1	12lb/5.4	100 btu
Solar 8000i	13.9"/35.4	13.2"/33.4	3.2"/8.1	12.3lb/5.6	341 btu
Solar 8000M	13.9"/35.4	13.2"/33.4	3.2"/8.1	12.3lb/5.6	100 btu
Solar 9500 (cpu unit)	13.7"/34.8	6.1"/15.5	13"/33.02	19.8lb/9	683 btu



SOLAR PATIENT MONITOR (alternate mounting options)

**GE Healthcare Technologies**

Installation Services Design Center

Copyright © 2009 General Electric Company - Proprietary to GE

SHEET TITLE: DEPARTMENT PLAN

MODALITY TYPE: INVASIVE COMPONENTS

THIS PLAN IS SUBMITTED TO SUGGEST LOCATION OF GE MEDICAL SYSTEMS EQUIPMENT IN THIS DEPARTMENT. GE MAKES NO WARRANTY, REPRESENTATION OR AGREEMENT IN PREPARING THIS PLAN. EVERY EFFORT HAS BEEN MADE TO CONFORM TO DETAILS. TO ACTUAL EQUIPMENT EXPECTED TO BE INSTALLED. IT IS NOT TO BE USED FOR RESPONSIBILITY FOR ANY DAMAGES RESULTING THEREFROM.

PROJECT TITLE: INVASIVE EQUIPMENT TYPICAL PLANNING TOOL

TYPICAL PLANNING DRAWINGS

PROJECT: invasive

REVISION: 00

DATE: 12-20-10

DRAWN BY: LLM

CHECKED BY: LLM

REVISION HISTORY:

\_\_\_\_\_

\_\_\_\_\_

\_\_\_\_\_

SHEET A1