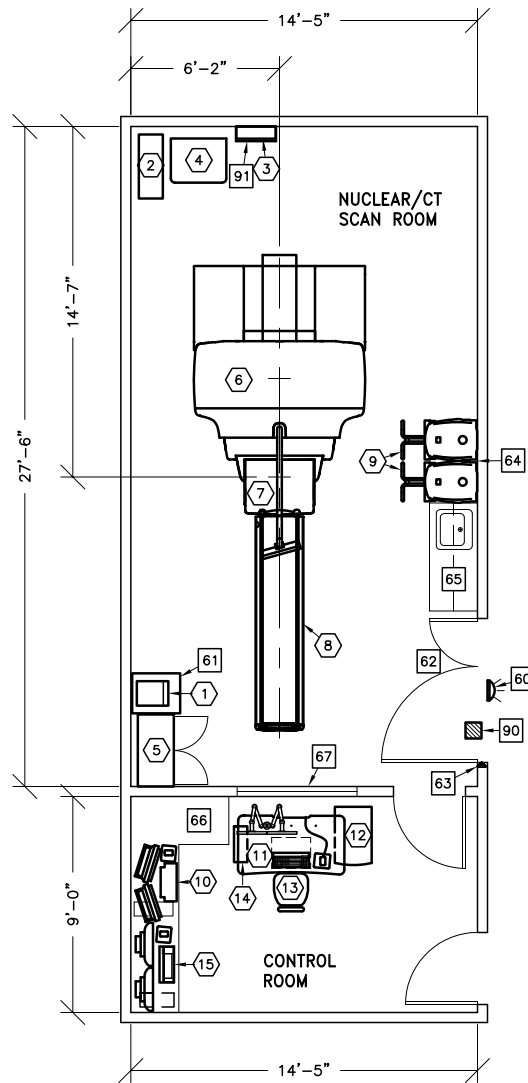




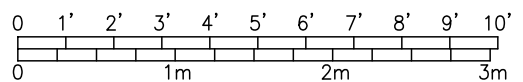
DISCOVERY NM/CT 670

NOTE: THIS IS A SUGGESTED LAYOUT BASED OFF OF GE HEALTHCARE PRE-INSTALL MANUAL. PLEASE CONTACT LOCAL PROJECT MANAGER OF INSTALLATION IF YOUR ROOM LAYOUT OR DIMENSIONS ARE DIFFERENT THAN THE LAYOUT SHOWN.



DRAWING SCALED
2:1 DIMENSIONS
EDITED

ROOM DIMENSIONS	LENGTH & WIDTH	CEILING HEIGHT
MINIMUM:	Refer to Pre-Installation Manual	



SEE APPENDIX "A" FOR POWER SPECIFICATIONS

ROOM PLAN LOCATED ON PAGE 7-76

ITEM	QUANTITY	ITEM DESCRIPTION	WEIGHT	HEAT OUTPUT
①	1	R-WAVE TRIGGER UNIT	19 lbs	170 btu
②	1	UPS SYSTEM	350 lbs	5003 btu
③	1	POWER INPUT DISTRIBUTION BOX	154 lbs	
④	1	POWER DISTRIBUTION UNIT	771 lbs	5119 btu
⑤	1	STORAGE CABINET (EMPTY CABINET WEIGHT)	99 lbs	
⑥	1	DISCOVERY NM/CT 670 GANTRY (CT)	3899 lbs	18771 btu
⑦	1	DISCOVERY NM/CT 670 GANTRY (NUCLEAR)	4629 lbs	4498 btu
⑧	1	DISCOVERY NM/CT 670 TABLE	1521 lbs	682 btu
⑨	2	DISCOVERY NM/CT 670 COLLIMATOR CART	551 lbs	
⑩	1	XELERIS WORKSTATION	55 lbs	255 btu
⑪	1	FREEDOM WORKSPACE-LARGE TABLE	147 lbs	8191 btu
⑫	1	T. I. O. CABINET	194 lbs	255 btu
⑬	1	OPERATOR'S CHAIR		
⑭	1	NUCLEAR AQUISITION COMPUTER	33 lbs	255 btu
⑮	1	ADVANTAGE WORKSTATION WITH TWO LCD MONITORS	81 lbs	1109 btu

ENVIRONMENT

Ambient Operation Temperature: 64-79° F [18-26° C]
 Allowable Temperature Change: 5° F [3° C] per hour
 Humidity: 30-60 percent non condensing
 Allowable Humidity Change: 5 percent per hour
 Max - Altitude: 7875 FT. [2400 M]

ROOM PLAN LOCATED ON PAGE

ITEM	QUANTITY	ITEM DESCRIPTION	WEIGHT	HEAT OUTPUT
<p>***** CUSTOMER/CONTRACTOR SUPPLIED AND INSTALLED ITEMS *****</p>				
60		<p>X-RAY ON WARNING LIGHT - AVAILABLE FROM GE SUPPLY CALL: 800-200-9760, GE CAT. NO. WXIABWW-0F-XIU</p>		
61		<p>CART</p>		
62		<p>MINIMUM DOOR OPENING FOR EQUIPMENT DELIVERY IS 44 IN. W x 83 IN. H [1118mm x 2108mm], CONTINGENT ON A 96 IN. [2438mm] CORRIDOR WIDTH</p>		
63		<p>DOOR LIMIT SWITCH (REQUIRED IN , SOUTH CAROLINA OTHERWISE NEEDED ONLY IF REQUIRED BY STATE/LOCAL CODES)</p>		
64		<p>OPTIONAL WALL PROTECTION FROM COLLIMATOR CART. ALSO, FINISHED FLOORING COULD BE SUBJECT TO DAMAGE DURING MOVEMENT AND BEING PARKED FOR A LONG PERIOD. SUFFICIENT FLOORING MUST BE USED TO PREVENT DAMAGE.</p>		
65		<p>COUNTER TOP WITH SINK, BASE AND WALL CABINETS</p>		
66		<p>COUNTER TOP FOR EQUIPMENT-PROVIDE GROMMETED OPENINGS AS REQUIRED TO ROUTE INTERCONNECT CABLES TO RACEWAY BELOW COUNTERTOP</p>		
67		<p>CONTROL WALL TO CEILING WITH LEAD GLASS WINDOW</p>		
90		<p>X-RAY ROOM WARNING LIGHT CONTROL PANEL, REFERENCE JUNCTION POINT 'WLC' ON SHEET 'E1' FOR DETAILED DESCRIPTION-E4502RL FOR WARNING LIGHT CONTROL ONLY</p>		
91		<p>MAIN DISCONNECT CONTROL, GEMS CAT. NO. E4502AE, 125 lbs., SEE DETAIL E4502AE.</p>		