

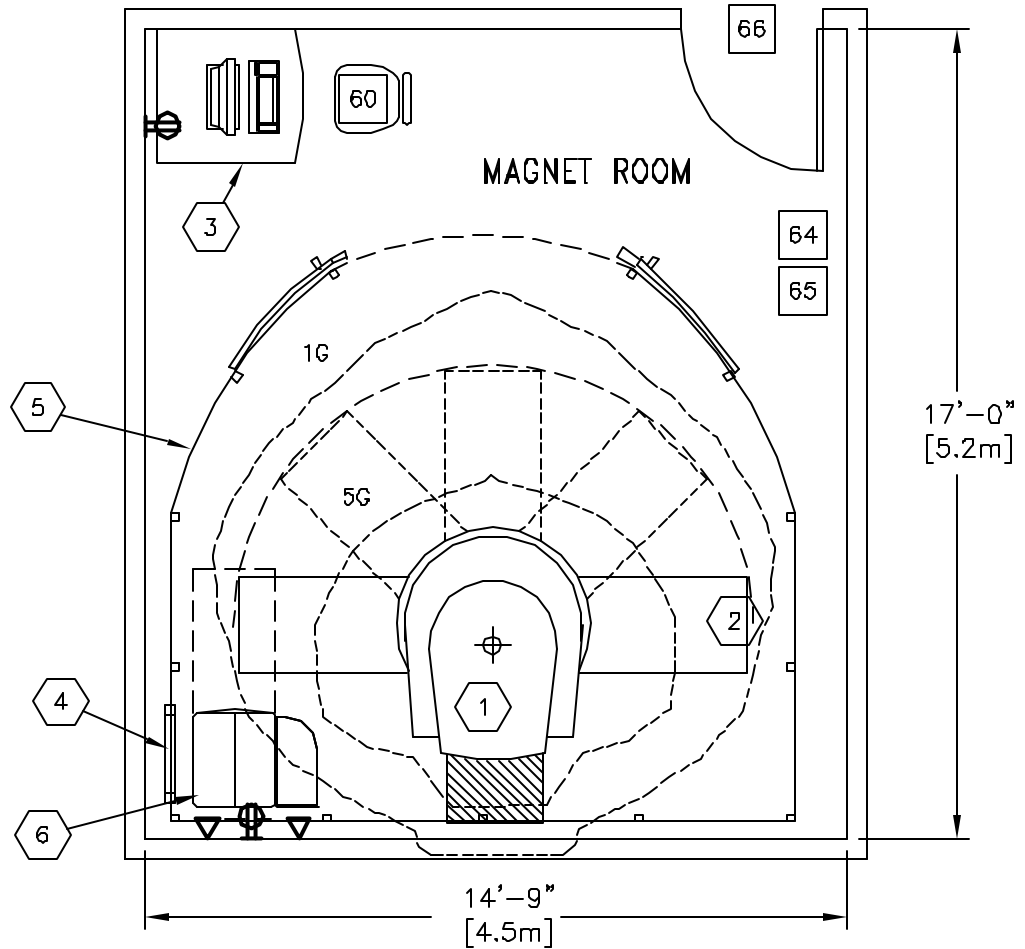


0.2T E-SCAN XQ EXTREMITY MRI

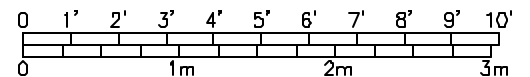
RECOMMENDED CEILING HEIGHT
9'-0" [2700mm]

NOTE: FERRROUS OBJECTS MUST NOT
 MOVE INTO OR INSIDE OF THE MOVING
 METAL SENSITIVITY LINE DURING SCANS.

REFER TO PRE-INSTALLATION MANUAL
 FOR COMPLETE INFORMATION ON THE
 MOVING METAL REQUIREMENTS.



ROOM DIMENSIONS	LENGTH & WIDTH	CEILING HEIGHT
MINIMUM:	14'-0" x 16'-0" [4.3M x 4.9M]	9'-0" [2.7M]



SEE APPENDIX "A" FOR POWER SPECIFICATIONS

ROOM PLAN LOCATED ON PAGE 8-148

ITEM	QUANTITY			
⬡		ITEM DESCRIPTION	WEIGHT	HEAT OUTPUT
①	1	E-SCAN XQ EXTREMITY MRI	4348 lb 1977 Kg	1190 btu 349 W
②	1	ROTATING PATIENT TABLE	178 lb 81 Kg	
③	1	OPERATOR'S CONSOLE	331 lb 151 Kg	1190 btu 349 W
④	1	RF PENETRATION PANEL		
⑤	1	RF SHIELDING PAVILION	1102 lb 500 Kg	
⑥	1	ELECTRONICS CABINET	463 lb 151 Kg	1365 btu 349 W
***** CUSTOMER/CONTRACTOR SUPPLIED AND INSTALLED ITEMS *****				
60		CHAIR		
61		DEDICATED ANALOG TELEPHONE LINE FOR REMOTE TROUBLESHOOTING/DIAGNOSTICS		
62		DEDICATED 110 VAC, 20 AMP, GROUNDED OUTLET		
63		OPTIONAL DSL/ISDN LINE FOR TELERADIOLOGY		
64		FLOOR LEVEL 1/4" OVER 10'		
65		VINYL, VCT, OR LOW PILE CARPET FOR SCAN ROOM		
66		MINIMUM DOOR OPENING FOR EQUIPMENT DELIVERY IS 36 IN. W X 82 IN. H [914MM X 2038MM], CONTINGENT ON A 96 IN. [2438MM] CORRIDOR WIDTH.		

ENVIRONMENT

Ambient Operation Temperature: 68-79 F [20-26 C]
 Allowable Temperature Change: 5 F [3 C] per hour
 Humidity: 45-80 percent non condensing
 Allowable Humidity Change: N/A
 Max - Altitude: N/A